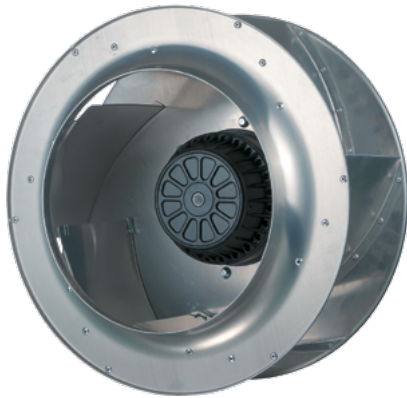


# Ø 400 MM, BACKWARD CURVED

# AC CENTRIFUGAL FAN



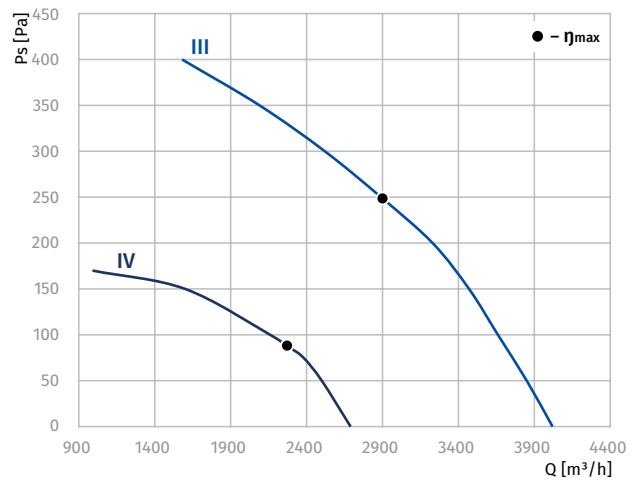
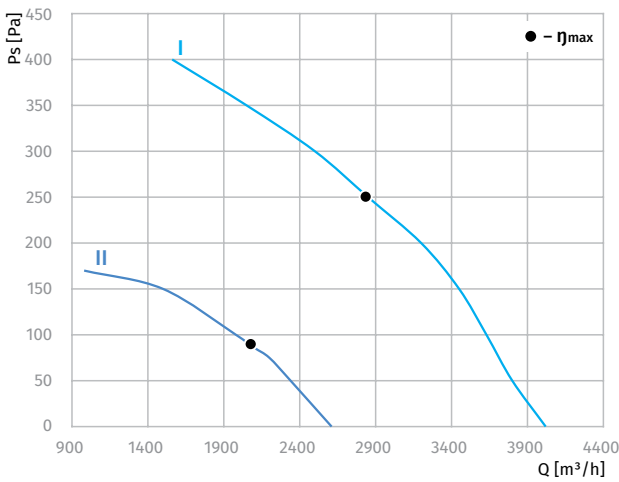
### Features

- **Impeller material:** sheet aluminium
- **Direction of rotation:** clockwise, seen on rotor
- **Type of protection:** IP54
- **Insulation class:** F
- **Mode of operation:** continuous operation (S1)
- **Bearing:** ball bearings
- **Motor protection:** self-resetting TOP wired internally

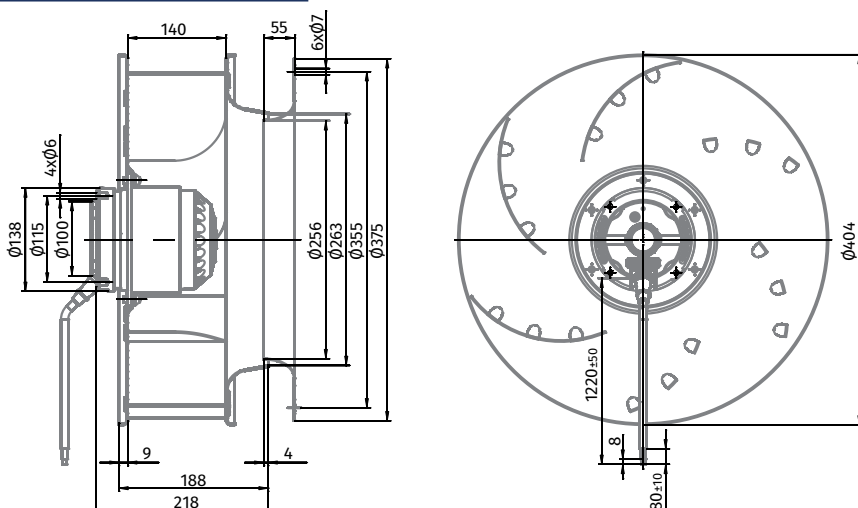


### Technical data

Model	Perform. curve	Nominal voltage [VAC]	Frequency [Hz]	Speed [RPM]	Power input max [W]	Current max [A]	Sound pres. level [dB(A)]	Perm. amb. temp. [°C]	Capacitor [µF/VDB]	Electrical connection
BL-B400C-4E-Q01-01	I	230	50	1350	560	2.46	66	-25 ... +50	10.0/450	A
BL-B400C-6E-Q01-01	II	230	50	920	180	0.83	50	-25 ... +60	5.0/450	A
BL-B400C-4D-Q01-01	III	230	50	1350	540	1.00	66	-25 ... +50	-	B1
		400	50	1070	350	0.53	66	-25 ... +50	-	B2
BL-B400C-6D-Q01-01	IV	230	50	900	250	1.26	50	-25 ... +60	-	B1
		400	50	900	250	0.73	50	-25 ... +60	-	B2



### Overall Dimensions



AC AXIAL FANS

BACKWARD CURVED AC CENTRIFUGAL FANS

BACKWARD CURVED EC CENTRIFUGAL FANS

FORWARD CURVED AC CENTRIFUGAL FANS

FORWARD CURVED EC CENTRIFUGAL FANS

AC BLOWERS

EC BLOWERS

AC MOTORS