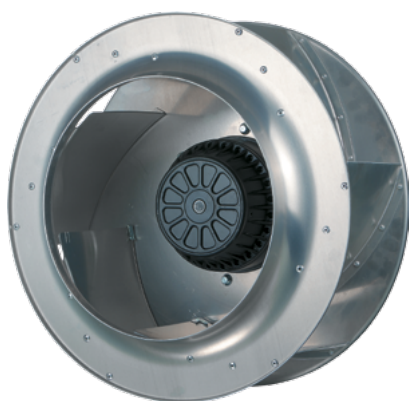


Ø 450 MM, BACKWARD CURVED

AC CENTRIFUGAL FAN



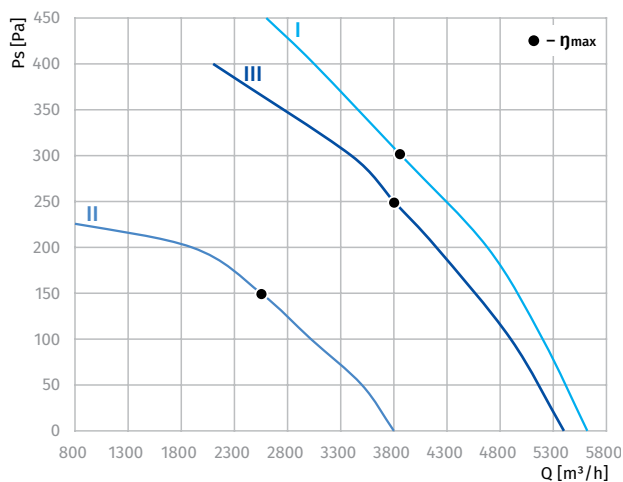
Features

- **Impeller material:** sheet aluminium
- **Direction of rotation:** clockwise, seen on rotor
- **Type of protection:** IP54
- **Insulation class:** F
- **Mode of operation:** continuous operation (S1)
- **Bearing:** ball bearings
- **Motor protection:** self-resetting TOP wired internally

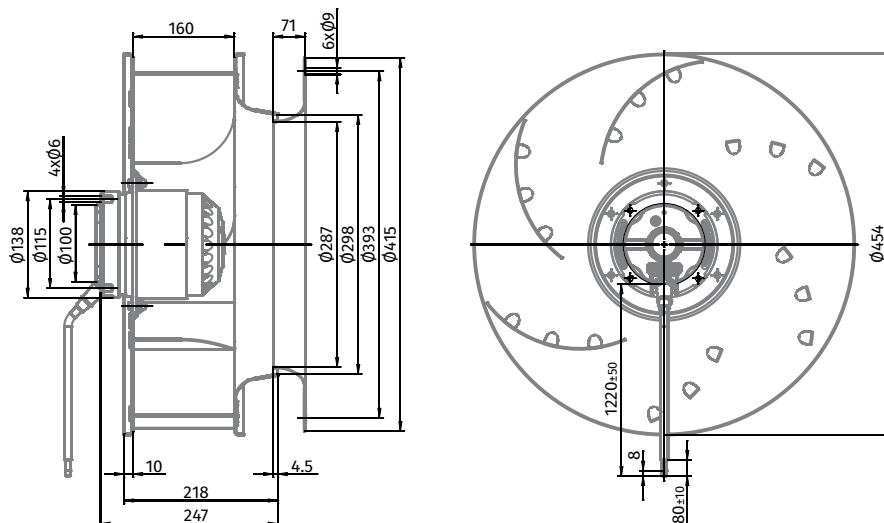


Technical data

Model	Perform. curve	Nominal voltage [VAC]	Frequency [Hz]	Speed [RPM]	Power input max [W]	Current max [A]	Sound pres. level [dB(A)]	Perm. amb. temp. [°C]	Capacitor [µF/VDB]	Electrical connection
BL-B450A-4E-P01-01	I	230	50	1340	830	4.10	74	-25 ... +40	14.0/450	A
BL-B450A-6E-P01-01	II	230	50	900	300	1.40	60	-25 ... +60	10.0/450	A
BL-B450A-4D-Q01-01	III	230	50	1280	690	1.26	74	-25 ... +40	-	B1
		400	50	1080	350	0.58	74	-25 ... +40	-	B2

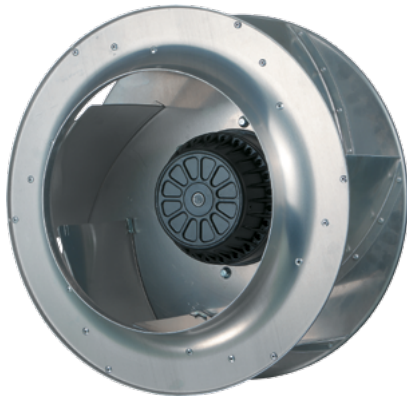


Overall Dimensions



Ø 450 MM, BACKWARD CURVED

AC CENTRIFUGAL FAN



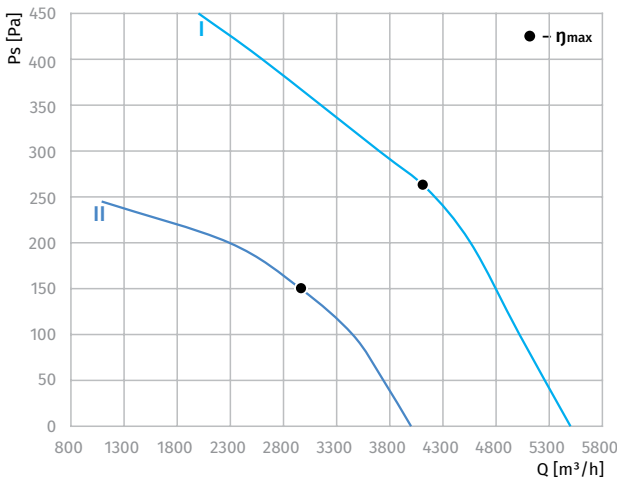
Features

- **Impeller material:** sheet aluminium
- **Direction of rotation:** clockwise, seen on rotor
- **Type of protection:** IP54
- **Insulation class:** F
- **Mode of operation:** continuous operation (S1)
- **Bearing:** ball bearings
- **Motor protection:** self-resetting TOP wired internally

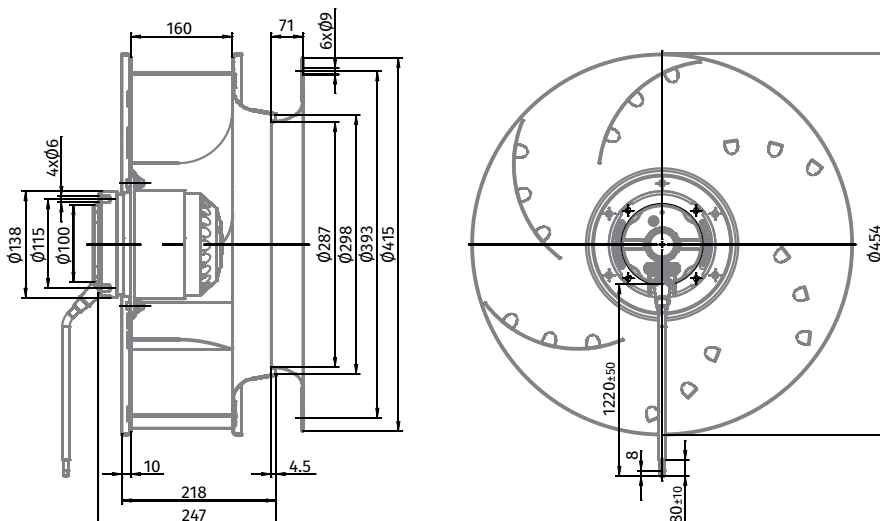


Technical data

Model	Perform. curve	Nominal voltage [VAC]	Frequency [Hz]	Speed [RPM]	Power input max [W]	Current max [A]	Sound pres. level [dB(A)]	Perm. amb. temp. [°C]	Capacitor [µF/VDB]	Electrical connection
BL-B450A-4D-Q02-01	I	230	50	1260	810	2.35	74	-25 ... +60	-	B1
		400	50	1260	810	1.36	74	-25 ... +60	-	B2
BL-B450A-6D-M01-01	II	230	50	940	330	0.90	60	-25 ... +60	-	B1
		400	50	940	330	0.90	60	-25 ... +60	-	B2



Overall Dimensions



AC AXIAL FANS

BACKWARD CURVED AC CENTRIFUGAL FANS

BACKWARD CURVED EC CENTRIFUGAL FANS

FORWARD CURVED AC CENTRIFUGAL FANS

FORWARD CURVED EC CENTRIFUGAL FANS

AC BLOWERS

EC BLOWERS

AC MOTORS