

# Ø 280 MM, FORWARD CURVED

# AC CENTRIFUGAL FAN



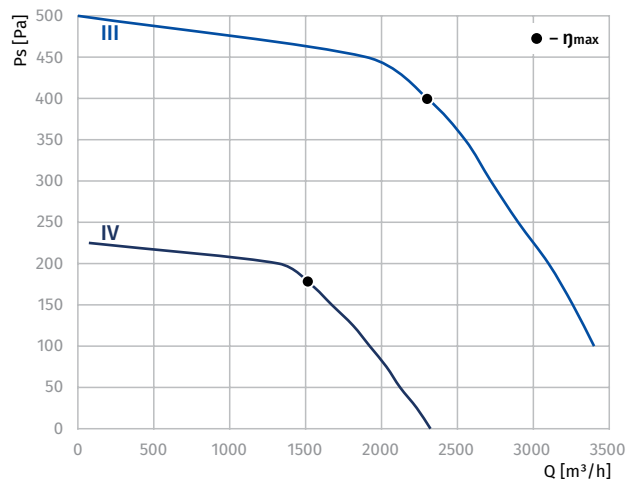
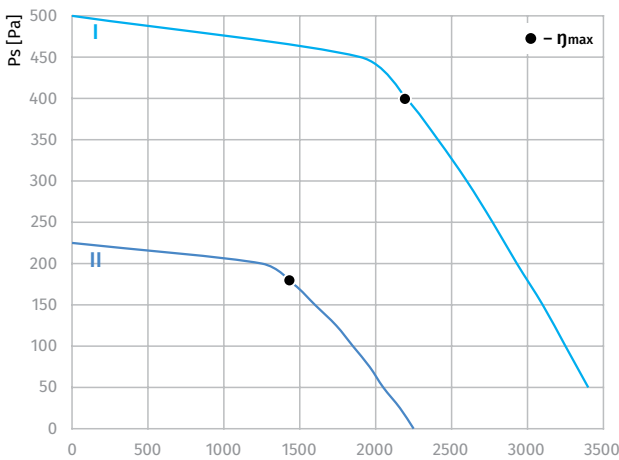
### Features

- **Impeller material:** galvanized steel
- **Direction of rotation:** clockwise, seen on rotor
- **Type of protection:** IP54
- **Insulation class:** F
- **Mode of operation:** continuous operation (S1)
- **Bearing:** ball bearings
- **Motor protection:** self-resetting TOP wired internally

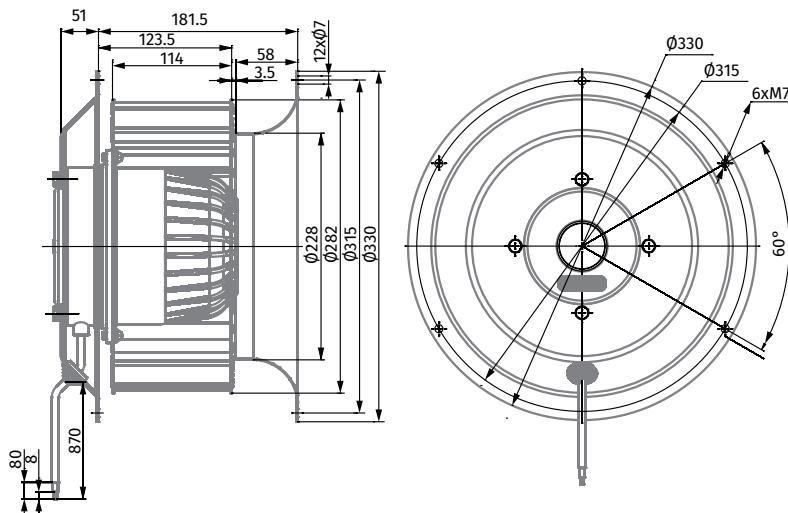


### Technical data

Model	Perform. curve	Nominal voltage [VAC]	Frequency [Hz]	Speed [RPM]	Power input max [W]	Current max [A]	Sound pres. level [dB(A)]	Perm. amb. temp. [°C]	Capacitor [µF/VDB]	Electrical connection
BL-F280A-4E-Q01-01	I	230	50	1360	1600	7.30	74	-25 ... +50	31.0/450	A
BL-F280A-6E-P01-01	II	230	50	900	450	2.20	72	-25 ... +80	8.0/450	A
BL-F280A-4D-P01-01	III	230	50	1360	1700	5.40	75	-25 ... +60	-	B1
		400	50	1360	1700	3.20	75	-25 ... +60	-	B2
BL-F280A-6D-M01-01	IV	230	50	900	450	1.48	72	-25 ... +80	-	B1
		400	50	900	450	0.85	72	-25 ... +80	-	B2



### Overall Dimensions



AC AXIAL FANS

BACKWARD CURVED AC CENTRIFUGAL FANS

BACKWARD CURVED EC CENTRIFUGAL FANS

FORWARD CURVED AC CENTRIFUGAL FANS

FORWARD CURVED EC CENTRIFUGAL FANS

AC BLOWERS

EC BLOWERS

AC MOTORS