

# Ø 400 mm, FORWARD CURVED

# AC CENTRIFUGAL FAN



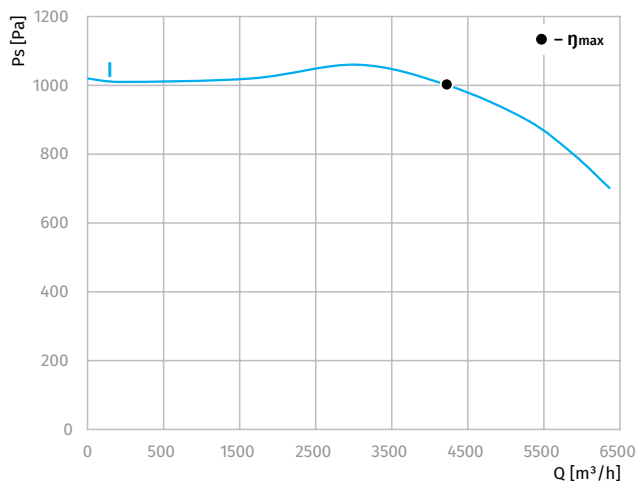
### Features

- **Impeller material:** galvanized steel
- **Direction of rotation:** clockwise, seen on rotor
- **Type of protection:** IP54
- **Insulation class:** F
- **Mode of operation:** continuous operation (S1)
- **Bearing:** ball bearings
- **Motor protection:** self-resetting TOP wired internally

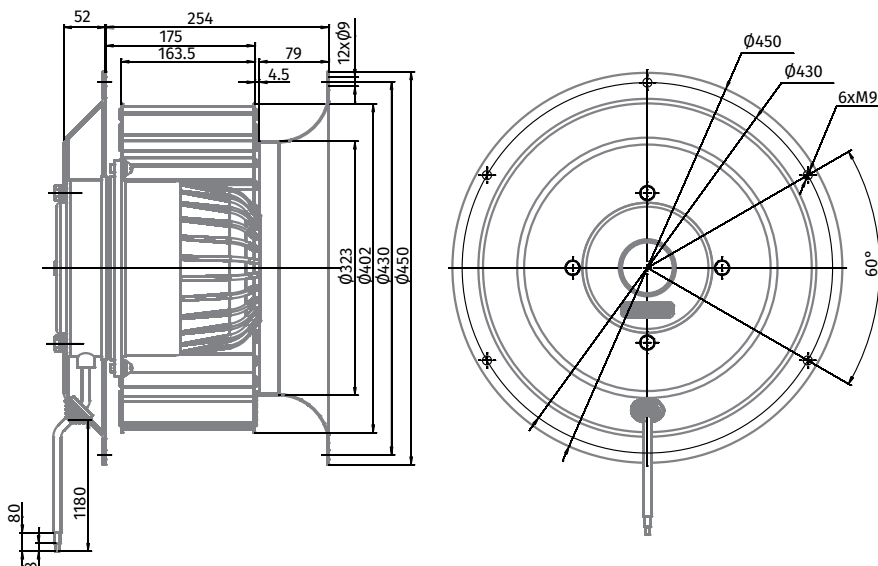


### Technical data

Model	Perform. curve	Nominal voltage [VAC]	Frequency [Hz]	Speed [RPM]	Power input max [W]	Current max [A]	Sound pres. level [dB(A)]	Perm. amb. temp. [°C]	Capacitor [µF/VDB]	Electrical connection
BL-F400A-4D-S01-01	I	230	50	1400	4800	13.9	86	-25 ... +45	-	B1
		400	50	1400	4800	8.0	86	-25 ... +45	-	B2



### Overall Dimensions



# Ø 400 MM, FORWARD CURVED

# AC CENTRIFUGAL FAN



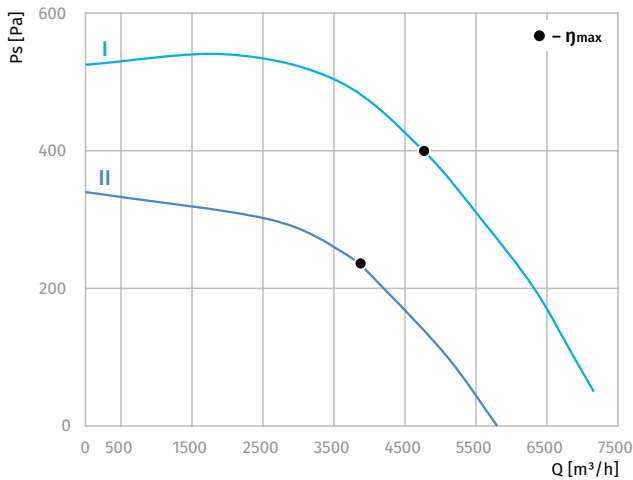
### Features

- **Impeller material:** galvanized steel
- **Direction of rotation:** clockwise, seen on rotor
- **Type of protection:** IP54
- **Insulation class:** F
- **Mode of operation:** continuous operation (S1)
- **Bearing:** ball bearings
- **Motor protection:** self-resetting TOP wired internally

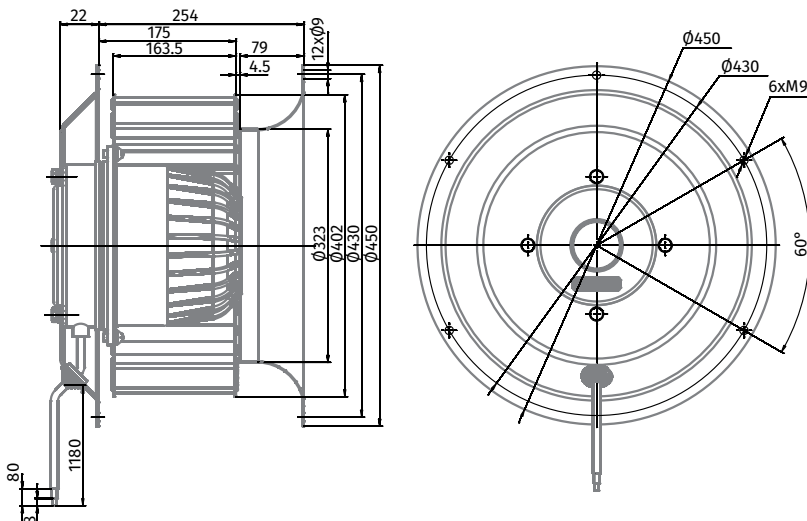


### Technical data

Model	Perform. curve	Nominal voltage [VAC]	Frequency [Hz]	Speed [RPM]	Power input max [W]	Current max [A]	Sound pres. level [dB(A)]	Perm. amb. temp. [°C]	Capacitor [µF/VDB]	Electrical connection
BL-F400A-6D-R01-01	I	230	50	870	2800	8.44	78	-25 ... +65	-	B1
		400	50	870	2800	4.85	78	-25 ... +65	-	B2
BL-F400A-8D-M01-01	II	230	50	700	1700	6.43	69	-25 ... +55	-	B1
		400	50	700	1700	3.70	69	-25 ... +55	-	B2



### Overall Dimensions



AC AXIAL FANS

BACKWARD CURVED AC CENTRIFUGAL FANS

BACKWARD CURVED EC CENTRIFUGAL FANS

FORWARD CURVED AC CENTRIFUGAL FANS

FORWARD CURVED EC CENTRIFUGAL FANS

AC BLOWERS

EC BLOWERS

AC MOTORS